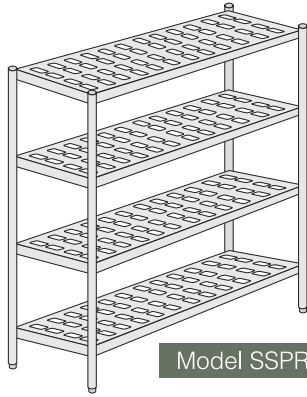


# STAINLESS STEEL PUNCHED RACK / SOLID RACK / CULTURE RACK

MODEL SSPR-4 / SSSR-4 / SSR-6 / SSR-5



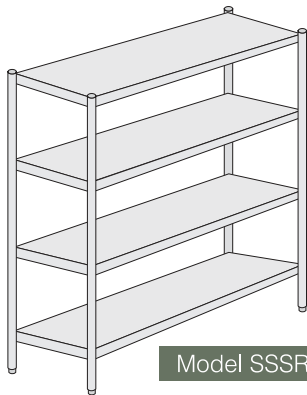
Model SSPR - 4

## STAINLESS STEEL PUNCHED RACK

MODEL	DIMENSION (mm)		
	W	D	H
SSPR-4 1200	1200	500	1524
SSPR-4 1524	1524	500	1524
SSPR-4 1828	1828	500	1524

### Specifications

- 1.0 mm thick SUS 304 plate.
- Ø 38mm SUS 304 tubular leg complete with adjustable bullet feet.
- Bended plate width 38mm for extra-strength for shelf.



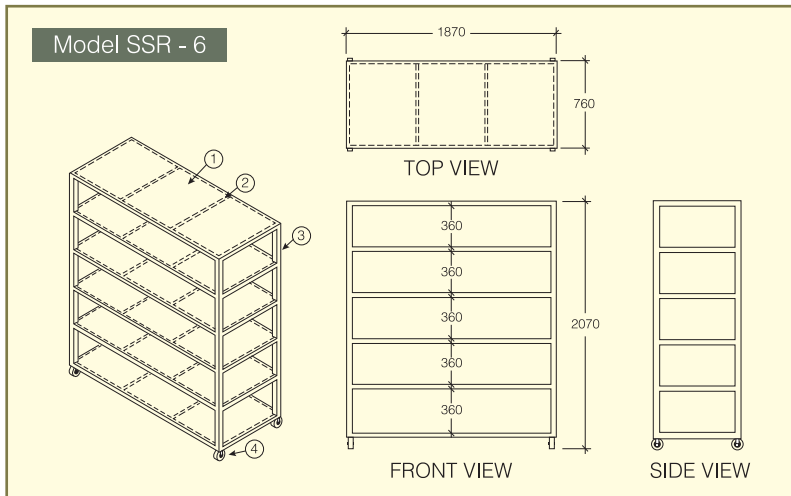
Model SSSR - 4

## STAINLESS STEEL SOLID RACK

MODEL	DIMENSION (mm)		
	W	D	H
SSSR-4 1200	1200	500	1524
SSSR-4 1524	1524	500	1524
SSSR-4 1828	1828	500	1524

### Specifications

- 1.0 mm thick SUS 304 punched plate.
- Ø 38mm SUS 304 tubular leg complete with adjustable bullet feet.
- Bended plate width 38mm for extra-strength for shelf.



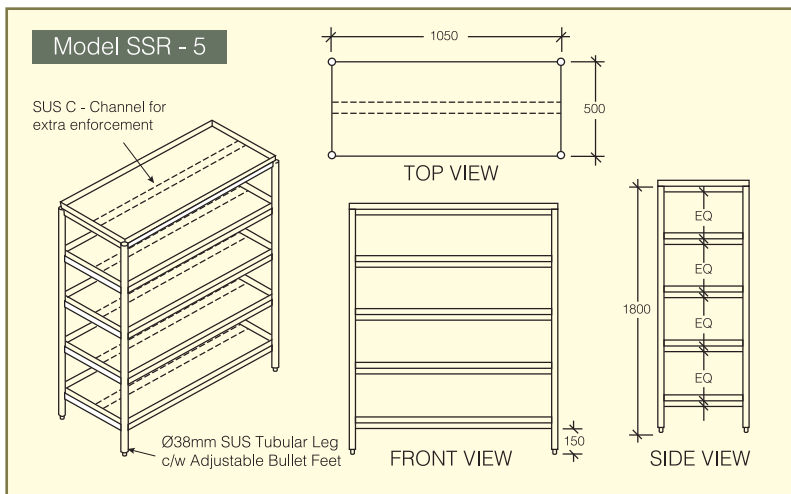
Model SSR - 6

## STAINLESS STEEL CULTURE RACK MODEL SSR-6

Material : Stainless Steel SUS 304 plate.  
Dimension : 1870W x 760D x 2070H (mm)  
Type : 6 tier rack complete with 4" wheels.

### NOTES :

1. 0.9mm thick SUS 304 Plate.
2. SUS 25 x 25 x 1.2mm thick SHS.
3. SUS 40 x 40 x 1.2mm thick SHS.
4. Ø4" H/Duty PU Red Wheel  
4 Nos Swivel, 2 with Brake.



Model SSR - 5

## STAINLESS STEEL CULTURE RACK MODEL SSR-5

Material : Stainless Steel SUS 304 plate.  
Dimension : 1050W x 500D x 1800H (mm)  
Type : 5 tier rack complete with adjustable bullet feet.

### NOTES :

1. 0.9mm thick SUS 304 Plate.
2. Stainless Steel C-Channel for extra enforcement.
3. Ø38mm SUS tubular leg complete with adjustable bullet feet.

All specifications are subject to change without prior notice.